



URE

United Renewable Energy Co., Ltd.

EN



F2M_H7A / 120 cells

325W - 340 W

Mono-Crystalline PV Module

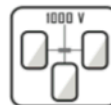
URE Peach module uses URE state-of -the art cell cutting technology, and advanced module manufacturing experiences.



Key Features



100% EL inline inspection
Better module reliability



Design for 1000 VDC
Reduce the system BOS effectively



Withstand heavy loading
front load 5400 Pa & rear load 2400 Pa



Excellent low light performance
3.5% relative eff. Reduction at low-irradiance (200W/m²)



For more information, please visit us at www.urecorp.com



URE

United Renewable Energy Co., Ltd.

EN

Electrical Data

Model - STC		F2M325H7A	F2M330H7A	F2M335H7A	F2M340H7A
Maximum Rating Power (Pmax)	[W]	325	330	335	340
Module Efficiency	[%]	19.26	19.56	19.85	20.15
Open Circuit Voltage (Voc)	[V]	40.25	40.59	40.93	41.26
Maximum Power Voltage	[V]	33.45	33.72	33.99	34.24
Short Circuit Current (Isc)	[A]	10.22	10.29	10.36	10.43
Maximum Power Current	[A]	9.72	9.79	9.86	9.93

*Standard Test Condition (STC): Cell Temperature 25 °C, Irradiance 1000 W/m², AM 1.5

*Values without tolerance are typical numbers. Measurement tolerance: ± 3%

*Assembly in China

Mechanical Data

Item	Specification
Dimensions	1684 mm (L) ¹ x 1002 mm (W) ¹ x 35 mm (D) ² / 66.3" (L) ¹ x 39.4" (W) ¹ x 1.38" (D) ²
Weight	19.5 kg / 42.9 lbs
Solar Cell	120 half-cut monocrystalline 6" silicon cella
Front Glass	High transmission tempered glass, 3.2mm thickness
Cell Encapsulation	EVA (Ethylene-Vinyl-Acetate)
Back Cover	Composite film, white
Frame	Anodized aluminum frame
Fire Rating	CLASS C
Junction Box	Tian Sheng TS03-13B;Holsun S1
Connector type	Tian Sheng TS02;Holsun C1/ C2
Packaging Configuration	(27+24+4) pcs / Pallet, 638 pcs 40' HQ container

¹ : With assembly tolerance of ± 2 mm [± 0.08"]

² : With assembly tolerance of ± 0.8 mm [± 0.03"]

Operating Conditions

Item	Specification
Mechanical Load	5400 Pa (Certified by TUV)
Maximum System Voltage	1000 VDC
Series Fuse Rating	15 A
Operating Temperature	-40 to 85 °C

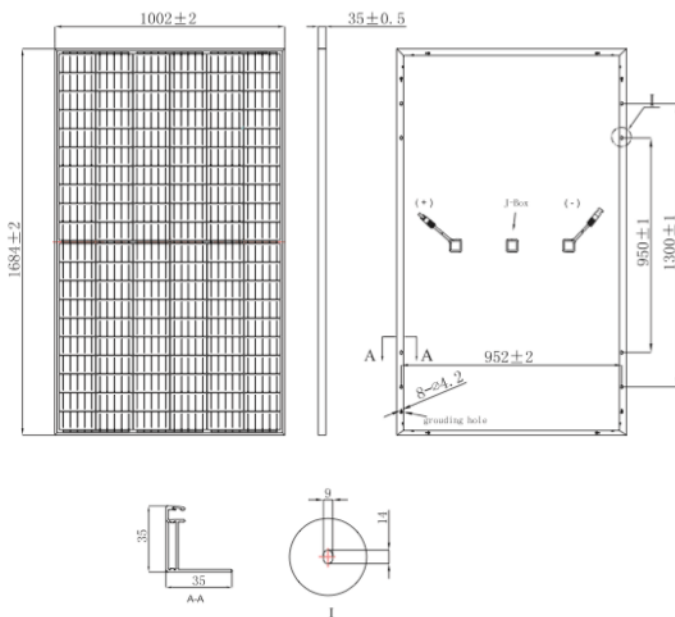
Temperature Characteristics

Item	Specification
Nominal Module Operating Temperature	45°C ± 2°C
Temperature Coefficient of Isc	0.024 % / °C
Temperature Coefficient of Voc	-0.287 % / °C
Temperature Coefficient of Pmax	-0.393 % / °C

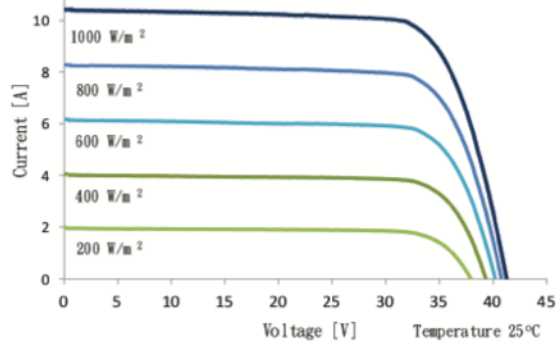
*Nominal module operating temperature (NMOT): Air mass AM 1.5, irradiance 800W/m², temperature 20°C, windspeed 1 m/s.

*Reduction in efficiency from 1000W/m² to 200W/m² at 25°C: 3 ± 2%.

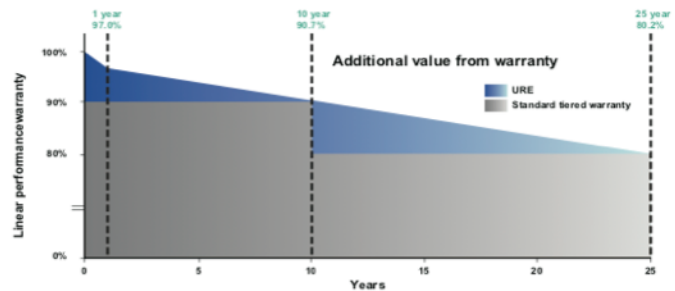
Engineering Drawing (mm)



Dependence on Irradiance



Reliability with Warranty



Output warranty
25
Years

Product Guarantee
12
Years

For more information, please visit us at www.urecorp.com

Australia Office: 177-187 Atlantic Drive
Keysborough
VIC 3173

Tel: 1300-359-889

Email: sales@urecorp.com.au

Headquarters: No.7 Hsin 3rd Road Hsinchu Science Park
Hsinchu City 30078 Taiwan

Tel : +886-3-578-0011

Fax: +886-3-578-1255

United Renewable Energy Co., Ltd.

Copyright © 2019 URE Corp All Rights Reserved